

Cobra MARINE™

MARINE VHF TRANSCEIVER
 EMETTEUR-RECEPTEUR VHF MARINE
 RICETRASMITTENTE VHF MARINE
 TRANSCPTOR VHF MARINE
 VHF MARINRADIO



INTERNATIONAL, U.S.A.
 AND CANADA CHANNELS



ONE BUTTON CLASS D DSC
 (With Dedicated Ch. 70 Receiver)



GPS CAPABILITY



NOISE CANCELING
 SPEAKER/MICROPHONE WITH CONTROLS



SUBMERSIBLE
 MEETS JIS7 STANDARDS



UNIQUE FEATURES FOR THE MR F75 EU:

- Tri-Watch
- Memory Scan
- PA Capability
- DSC Call Waiting

ACCESSORIES INCLUDED:

- Flush Mount Kit
- Surface/Overhead Mount
- GPS Interface Cable



**SUPERSIZE
 ILLUMINATED
 LCD DISPLAY!**

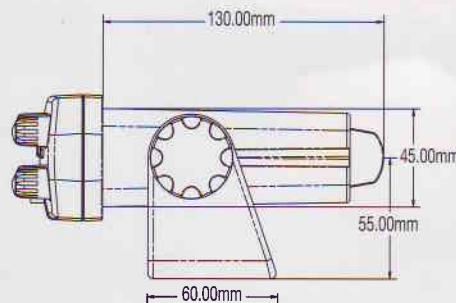
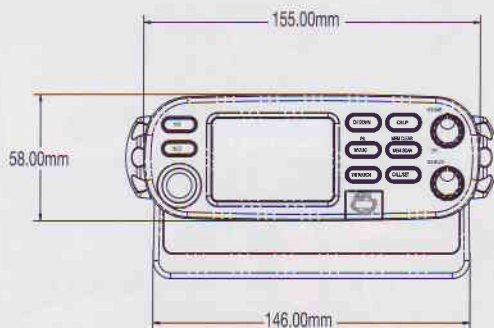
MR F75 EU

Cobra MARINE™

MARINE VHF TRANSCEIVER
ÉMETTEUR-RÉCEPTEUR VHF MARINE
RICETRASMITTENTE VHF MARINE
TRANSCÉPTOR VHF MARINE
VHF MARINRADIO

MR F75 EU

| Feature | Benefit |
|--|--|
| 1 or 25 Watts | Dual output power for short and long communication. |
| International, U.S.A. & Canada Channels | Allows operation on any of the three (3) different channel maps established for these areas. |
| Private Channels | Available for programming in country of purchase. |
| Instant Channel 16/9 | Instant access to channel 16 for emergency situations. |
| DSC (Digital Selective Calling) Class D with dedicated ch. 70 receiver | Meets internationally recognized requirements for RTCM- SC-101 and Class D Digital Selective Calling that allows you to send a distress signal at the touch of a button or exchange position information with other boats or stations. |
| GPS Capability | When connected to a Cobra or most other GPS receivers, you can send your position to other boats in an emergency, or exchange position information with other boats or stations. |
| Tri-Watch | Monitors three (3) channels at once — Channel 16 and two (2) user selected channels. |
| Memory Scan | Scan channels programmed in memory to find conversations in progress. |
| DSC Call Waiting | Similar to the Caller ID function on a telephone, it will capture the caller's MMSI ID number and any other data included in a DSC message. |
| Signal Strength Meter | Shows the strength of incoming signal. |
| Illuminated Function Keys | Allows high visibility of function keys. |
| Illuminated LCD Display: Super Large | See radio settings from practically anywhere with the largest LCD available on a fixed radio. |
| Noise Canceling Speaker/Microphone with Controls | Blocks background noise and allows listening to radio signals on the speaker/microphone. Controls allow instant access to channel 16, speaker/microphone volume control and changing of channels & setting features. |
| External Speaker Jack | Allows connection of an external speaker (not included). |
| Public Address Capability | Allows calling other boats over a PA speaker (not included). |
| Submersible | Meets JIS7 standards; Submersible for 30 minutes in one meter deep water. |
| Included Accessories | |
| Flush Mount Kit & Surface Mount Kit | Easy installation of radio in or on almost any flat surface with supplied hardware. |
| GPS Interface Cable | Allows connection of a GPS receiver. |



Unit Specifications

| General | |
|-------------------------------|---|
| Number of Channels | All: International, U.S.A., Canadian |
| Channel Spacing | 25 kHz |
| Modulation | 5 kHz Max. |
| Input Voltage | 13.8 VDC |
| Current Drain: | |
| Stand-by | 200 mA |
| Receive | 300 mA |
| Transmit | 5 A @ High Power 1 A @ Low Power |
| Temperature Range | -20°C to 60°C |
| Unit Dimensions | 159 mm x 57 mm x 180 mm |
| Unit Weight (Lbs) | 1059 g |
| Receiver | |
| Frequency Range | 156.050 to 162.425 MHz |
| Receiver Type | Double Conversion Super-Heterodyne |
| Sensitivity: | |
| 20 dB Quieting | 0.35 uV |
| 12 dB Sinad | 0.30 uV |
| Adjacent Channel Selectivity | -60 dB |
| Intermodulation and Rejection | -60 dB |
| Spurious & Image Rejection | -60 dB |
| AF Output | 4 Watts @ 8 Ohms |
| Transmitter | |
| Frequency Range | 156.025 to 162.425 MHz |
| RF Output Power | 1 or 25 Watts |
| Spurious Emissions | -60 dB @ High Power -55 dB @ Low Power |
| Microphone Type | Electret |
| Microphone Impedance | 2000 Ohms |
| Frequency Stability | +/-10 ppm |
| FM Hum & Noise | 40 dB |

Packaging Specifications

| | |
|--------------------------------|--------------------------------|
| Individual Clam/Box Dimensions | 314 mm H x 236 mm W x 75 mm D |
| Individual Clam/Box Weight | 1565 g |
| Master Pack Qty. | 4 |
| Master Pack Dimensions | 317 mm H x 255 mm W x 338 mm D |
| Master Pack Weight | 7000 g |
| SKU # | MR F75 EU |
| UPC # | 0 28377 20079 3 |

Features and specifications subject to change.

NOTHING Comes Close to a Cobra®

©2003 CEEL, Dungar House, Northumberland Avenue, Dun Laoghaire, County Dublin, Ireland

Visit our website: www.cobra.com

5 MR F75 EU SP 5/04

Nothing comes close to a Cobra® and the snake design are registered trademarks of Cobra Electronics Corporation, USA. Cobra Electronics Corporation™, CEEL™ and CobraMarine™ are trademarks of Cobra Electronics Corporation, USA.